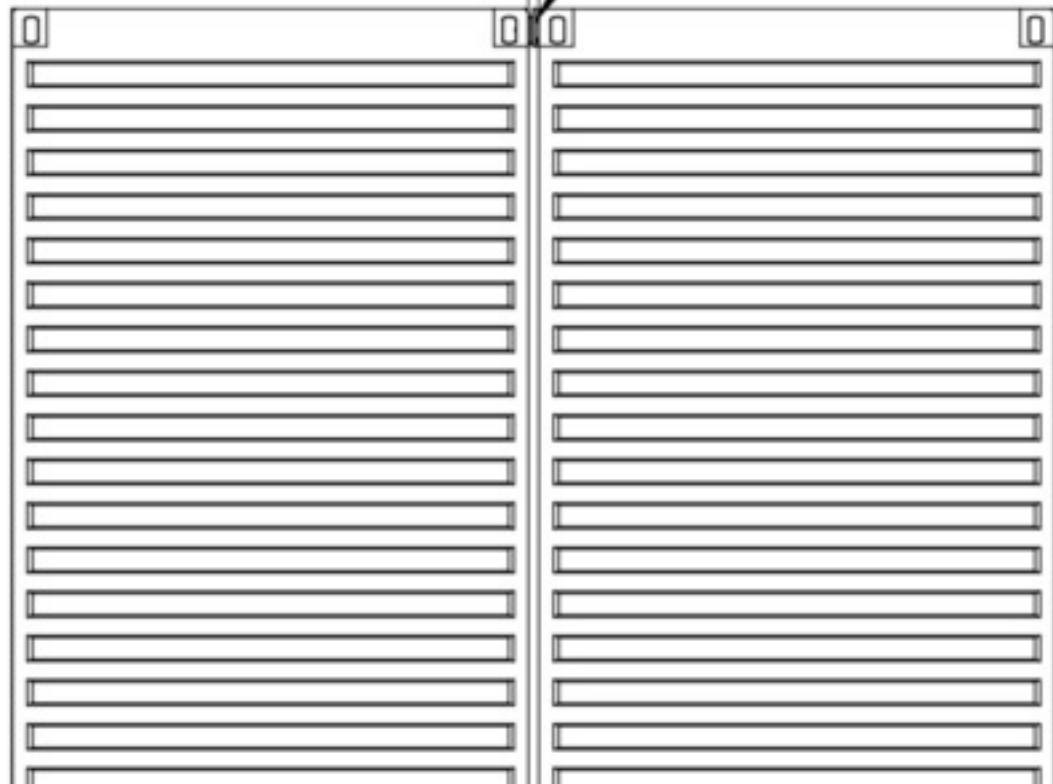
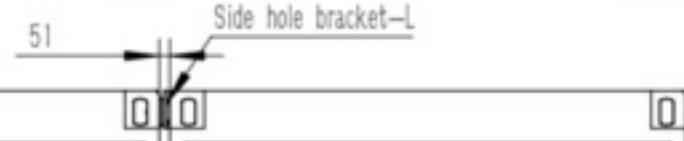
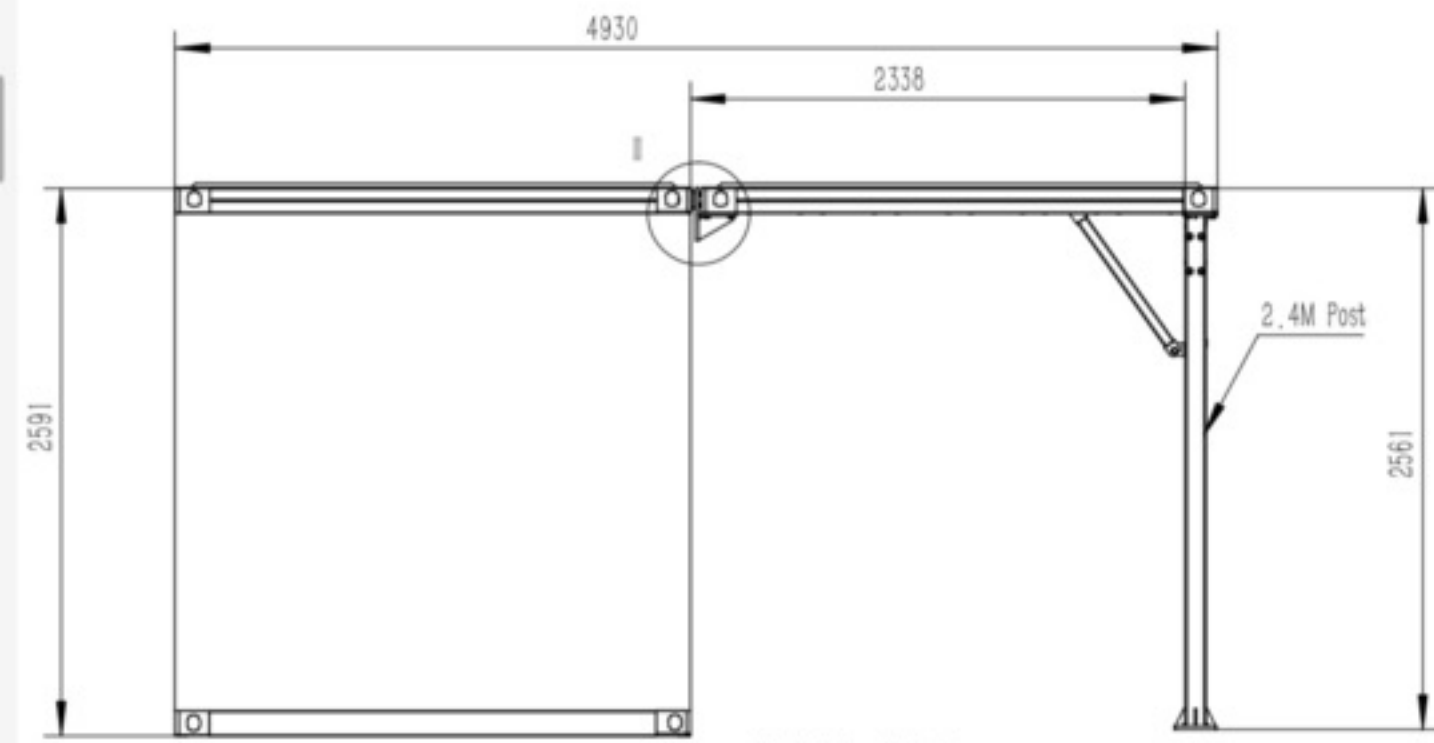


SINORTEK Clamp



$\frac{I}{1:6}$

