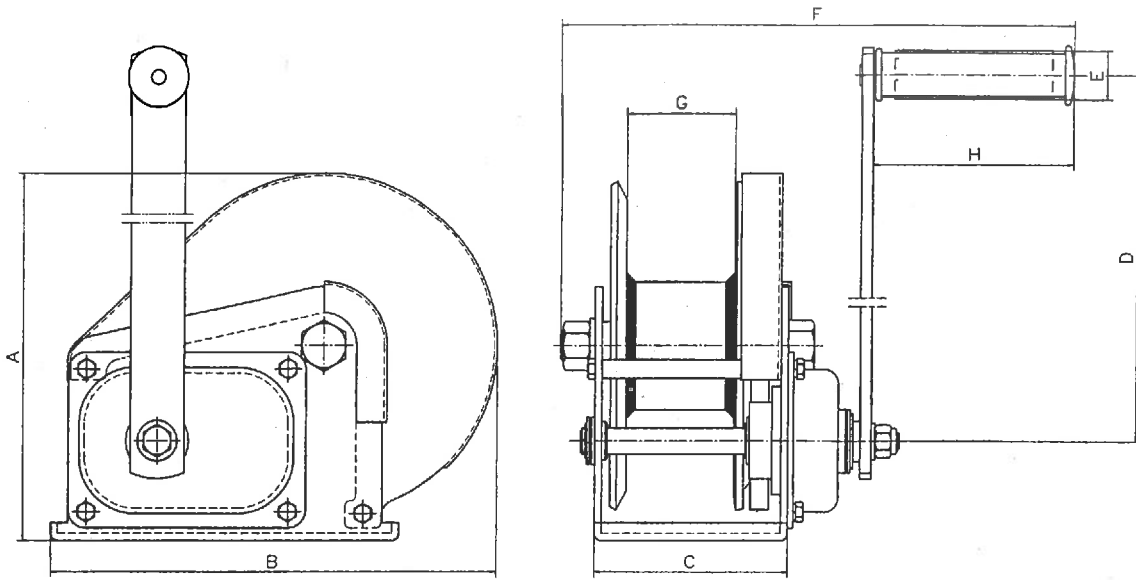


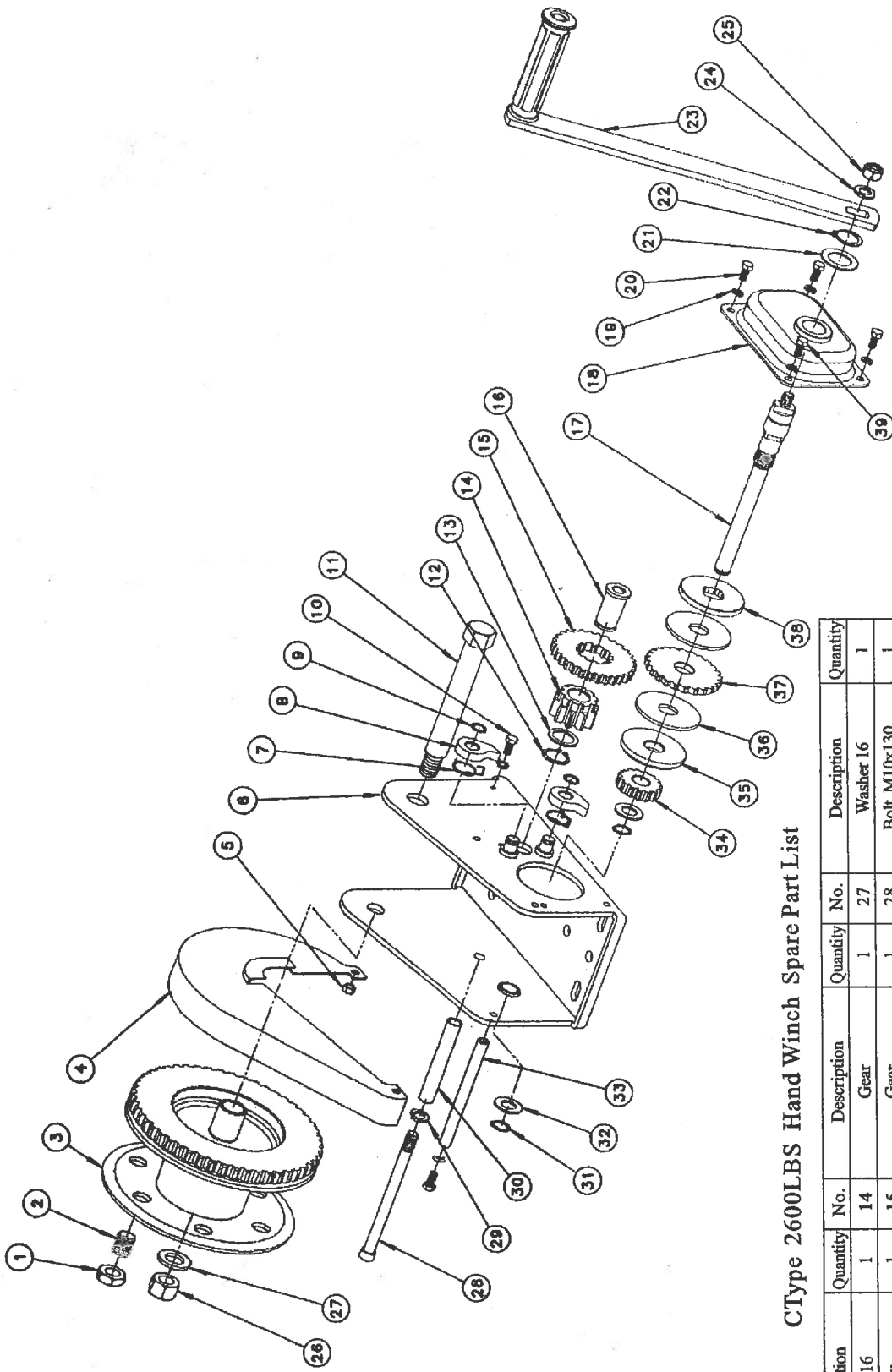
# JC-C HAND WINCH





### JC-C Winch Specifications

Model		1200LBS	1800LBS	2600LBS
Safe Working Load	LBS	1200	1800	2600
Test Load	KN	8	12.13	17.64
Gear Ratio		4.2:1	5:1	10:1
Dimensions (mm)	A	156	203	216
	B	184	256	293
	C	88	107	127
	D	210	319	319
	E	27	27	27
	F	272	283	305
	G	51	60	63
	H	109	109	109
Net weight	kg	3.7	7.7	10.1
Volume	cm	16×16×22	35×20×23	35×24×24



CType 2600LBS Hand Winch Spare Part List

No.	Description	Quantity	No.	Description	Quantity	No.	Description	Quantity
1	Nut M16	1	14	Gear	1	27	Washer 16	1
2	Screw	1	15	Gear	1	28	Bolt M10x130	1
3	Twist Drum	1	16	Shaft	1	29	Washer 10	1
4	Cover	1	17	Shaft	1	30	Support Pipe	1
5	Nut M6	1	18	Cover Part	1	31	Retaining Ring for Axle 15	2
6	Mounted Base	1	19	Washer 6	6	32	Washer A	2
7	Snap Ring	2	20	Bolt M6x10	3	33	Support Rod	1
8	Ratchet Claw	2	21	Washer C	1	34	Gear	1
9	Retaining Ring for Axle 12	2	22	Retaining Ring for Axle 22	1	35	Clip A	1
10	Bolt M6x116	2	23	Rocher Arm	1	36	Friction Flake	2
11	Shaft	1	24	Washer 10	1	37	Ratchet	1
12	Retaining Ring for Axle 20	1	25	Nut M10	1	38	Clip B	1
13	Washer B	1	26	Nut M16	1	39	Bolt M6x20	1