


	SIGNATURE	DATE		 Assy. test 3-20GP+2	
DRAWN					
CHECKED					
ENG.APPR					
MFG.APPR					
Q.A			MATERIAL:	DWG.NO	2CT2RF
					A3
					A
DO NOT SCALE DRAWING			WEIGHT(KG): 1672.946	SCALE 1:100	SHEET OF

1 2 3 4 5 6 7 8

A

B

C

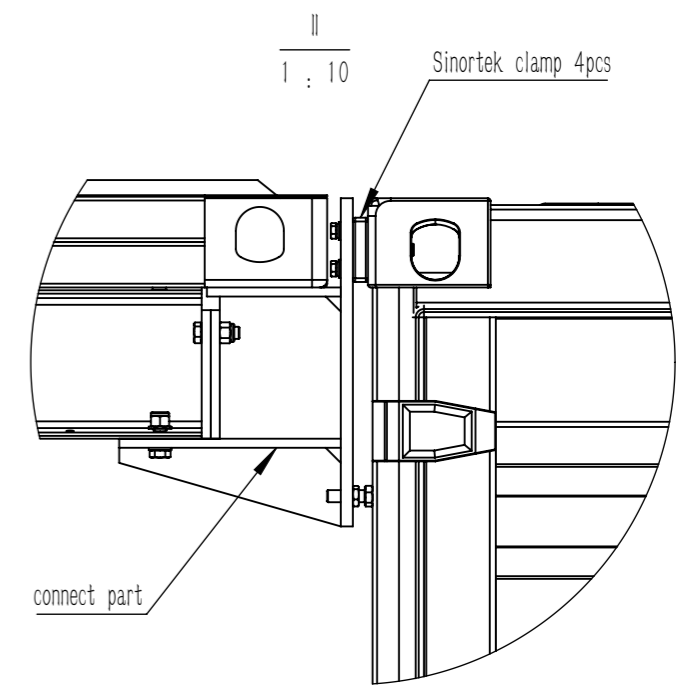
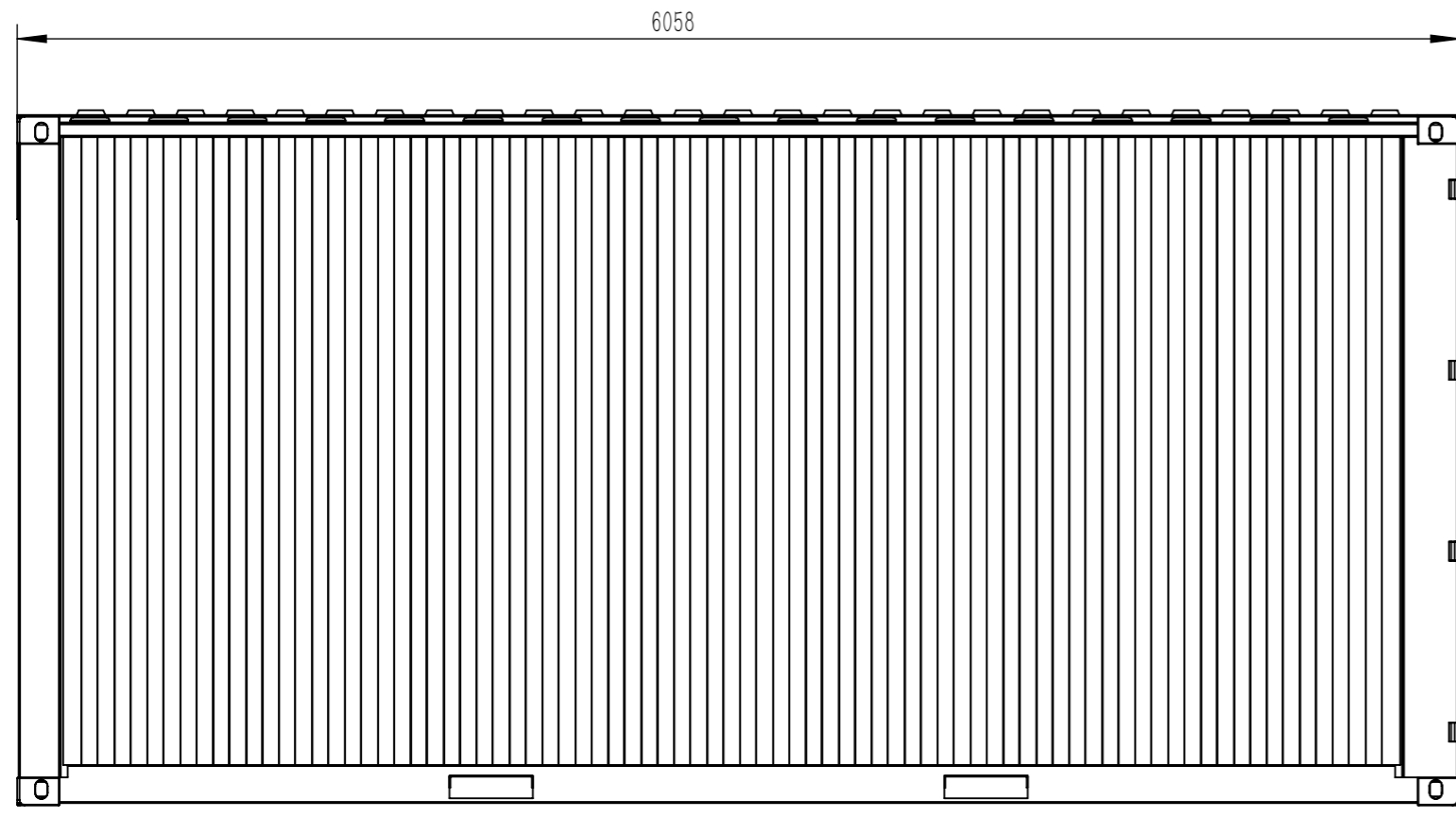
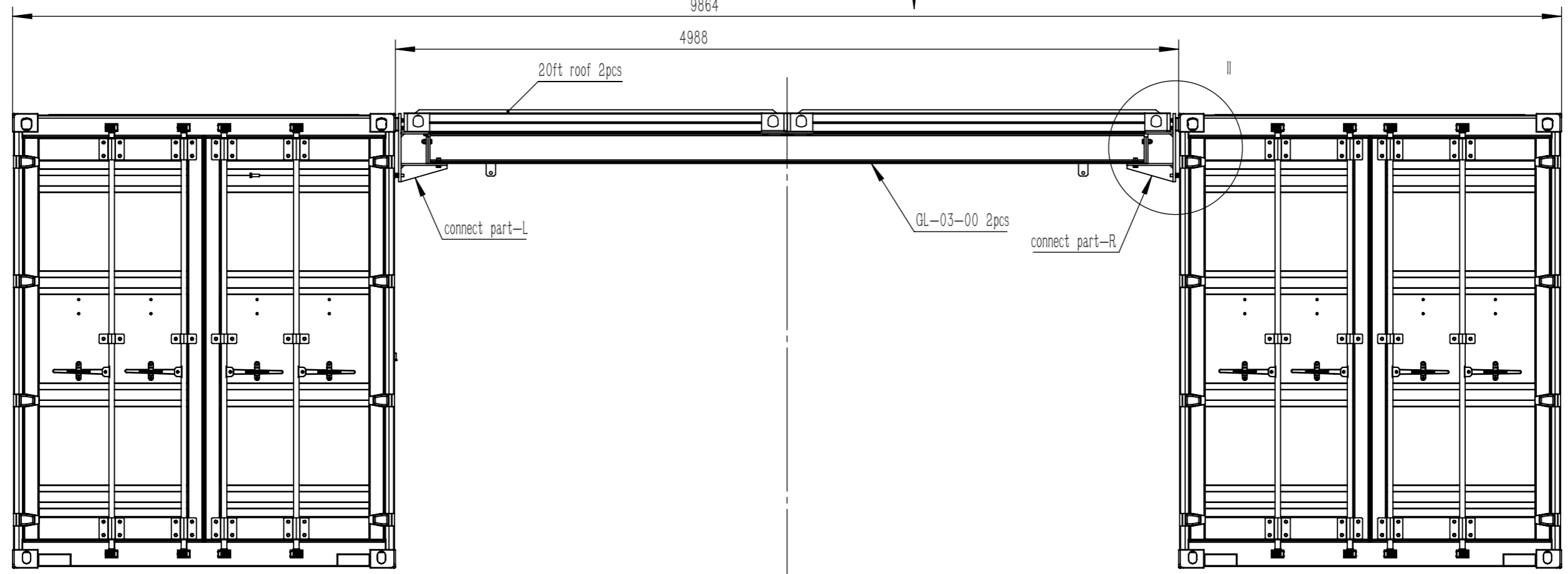
D

E

F

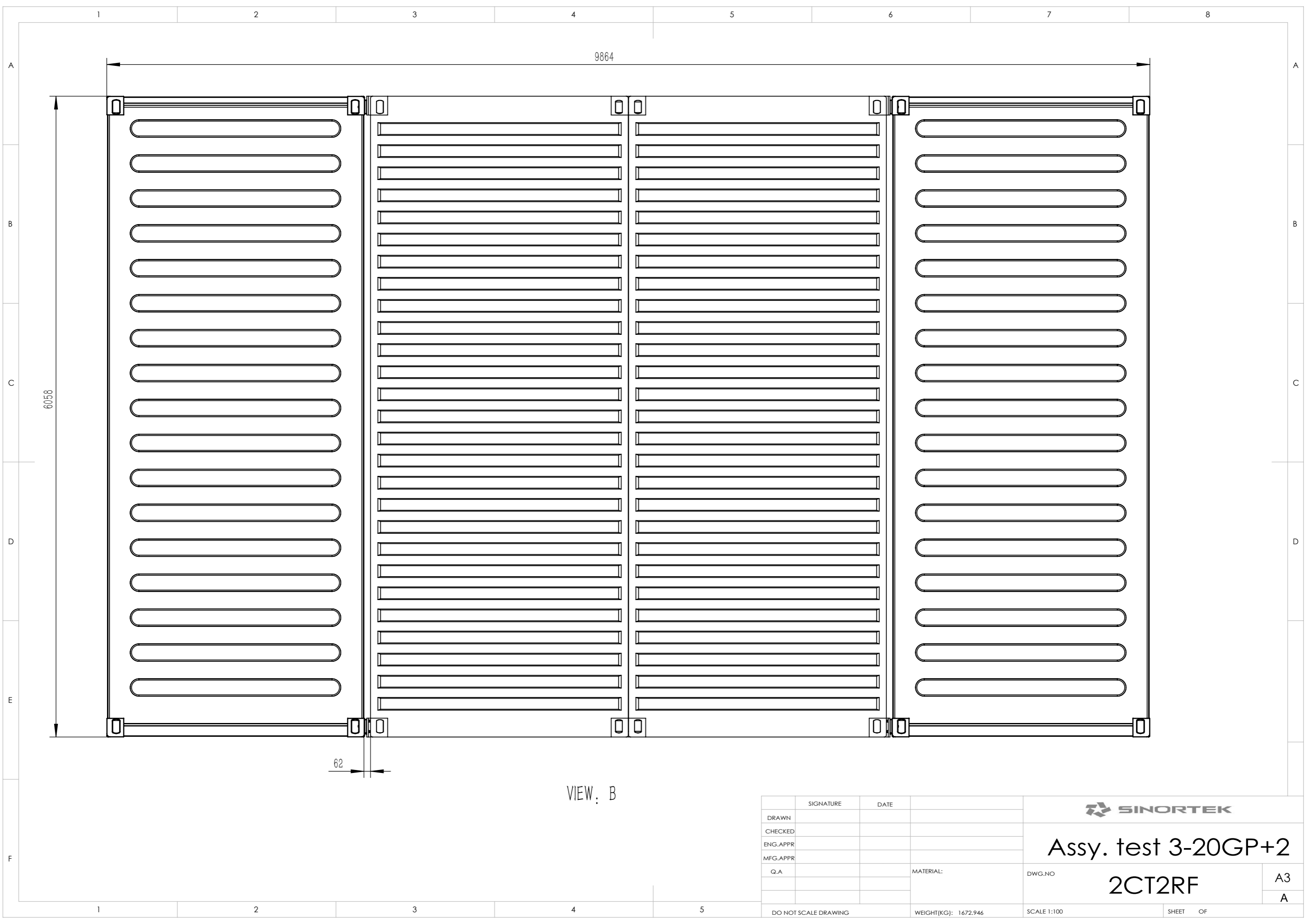
VIEW A

VIEW B



VIEW: A

	SIGNATURE	DATE			Assy. test 3-20GP+2 2CT2RF	A3 A
DRAWN						
CHECKED						
ENG.APPR						
MFG.APPR			MATERIAL:	DWG.NO		
Q.A						
DO NOT SCALE DRAWING			WEIGHT(KG): 1672.946	SCALE 1:100	SHEET OF	



9864

6058

62

VIEW: B

	SIGNATURE	DATE	 Assy. test 3-20GP+2 2CT2RF		A3	
DRAWN					DWG.NO	A
CHECKED						
ENG.APPR						
MFG.APPR						
Q.A			MATERIAL:			
DO NOT SCALE DRAWING			WEIGHT(KG): 1672.946	SCALE 1:100	SHEET OF	